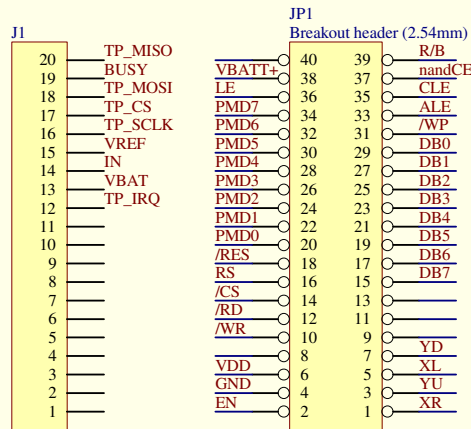
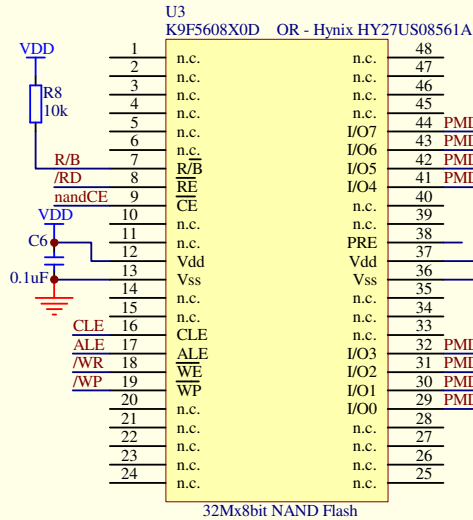


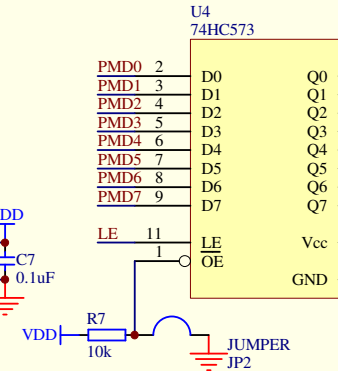
Soldering required to short  
JP10 - JP13 in order to use ADS7846E



Connections for ADS7846

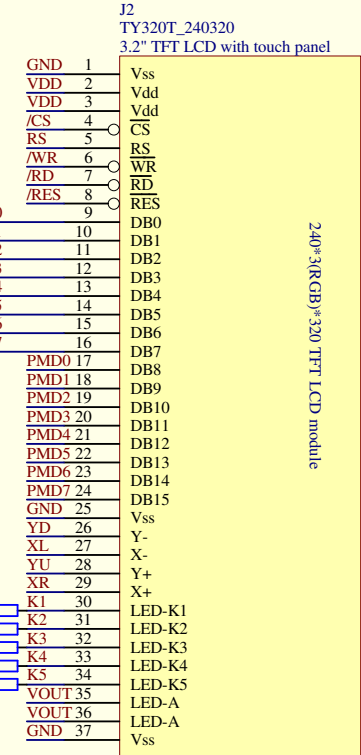


32Mx8bit NAND Flash



Jumper for 74HC573

Case 1: Leave jumper open to disable 74HC573 therefore LCD only in 16-bit mode  
Case 2: Shunt jumper to enable 74HC573 for 8-bit mcu <-> LCD interface



LCD in 16-bit mode

[www.TechToys.com.hk](http://www.TechToys.com.hk)

Title: TY320T-240320-BO 3.2" TFT LCD module on break out board With 32MB NAND Flash & ADS7846E		Size : A4
Revision : Rev 2C		
Date: 19 Feb 2008	Drawn by : TechToys Company	