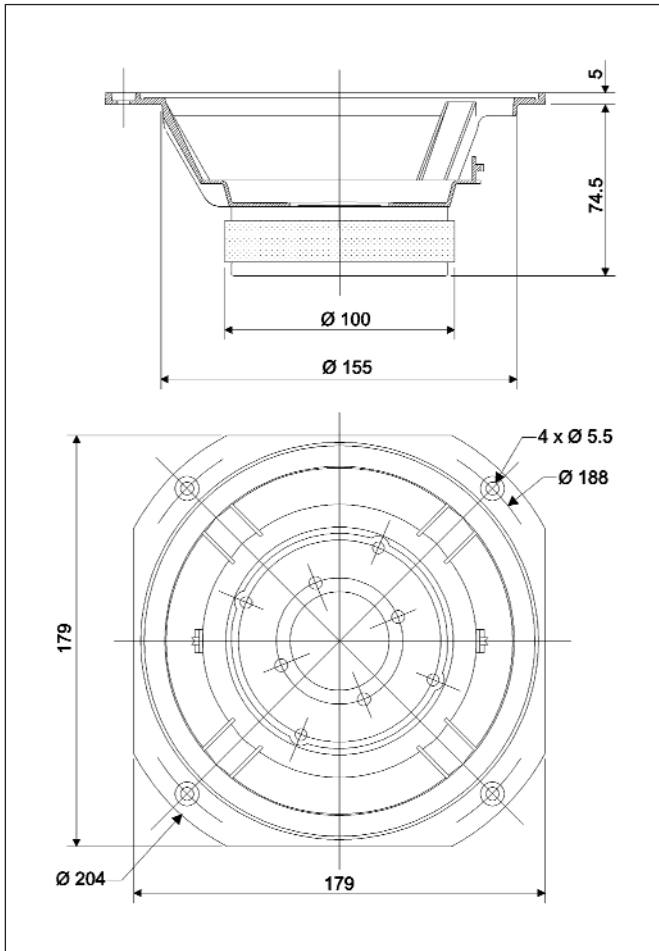
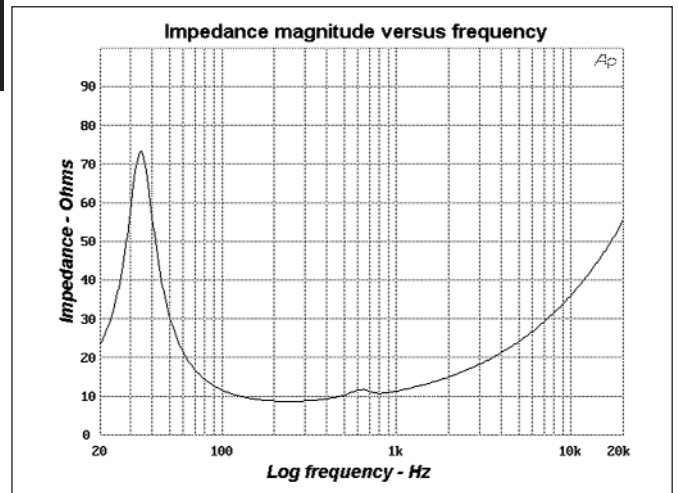
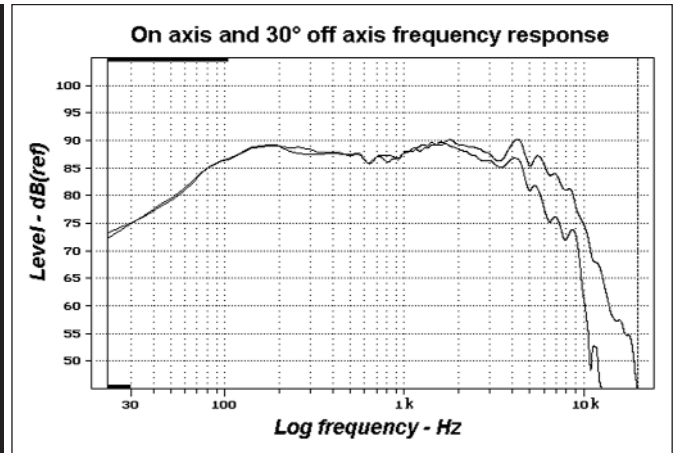


- Thick zamak alloy metal cast frame
- Semi exponential profile light PolyKevlar® cone, rubber surround
- Edgewound flat copper wire 40 mm voice coil, Kapton™ former, 10 ohms impedance
- Efficiency : 89 dB
- High power, low compression driver, dual driver applications


DRAWING

MEASUREMENTS

SPECIFICATIONS

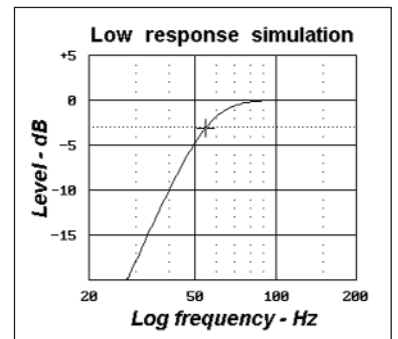
Nominal power handling	115	W
Program power handling	165	W
Sensitivity	89	dB (2.8V/1m)
Cone	Polykevlar®	
Surround	Rubber	
Nominal impedance	10	Ω
DC resistance	7.8	Ω
VC diameter	40	mm
VC height	16.5	mm
Former	Kapton™	
Layers	1	
Wire	Copper	
Inductance	0.72	mH
Xmax	5.25	mm
Magnet diameter x height	100 x 18	mm x mm
Magnet weight	564	g
Flux density	1.06	T
Gap height	6	mm
Net weight	1.7	kg

PARAMETERS

Fs	36.0	Hz
Vas	45.0	l
Qts	0.29	
Qes	0.32	
Qms	3.42	
Re	7.6	Ω
Sd	162.9	cm ²
Cas	321E-9	m ² /N
Mas	64.3	kg/m ⁴
Ras	4 139.4	Ω .ac
Cms	121E-5	m/N
Mms	17.1	g
Rms	1 129	g/s
Ces	191.4	μ F
Les	107.7	mH
Res	81.1	Ω
Bl	9.4	N/A
SPL	89.7	dB/W/m

SIMULATION

Ql:	7	Ω
Rg:	0.3	
Qts (+Rg):	0.30	



Vb:	17	l
Fb:	48.7	Hz
F-3:	54.4	Hz