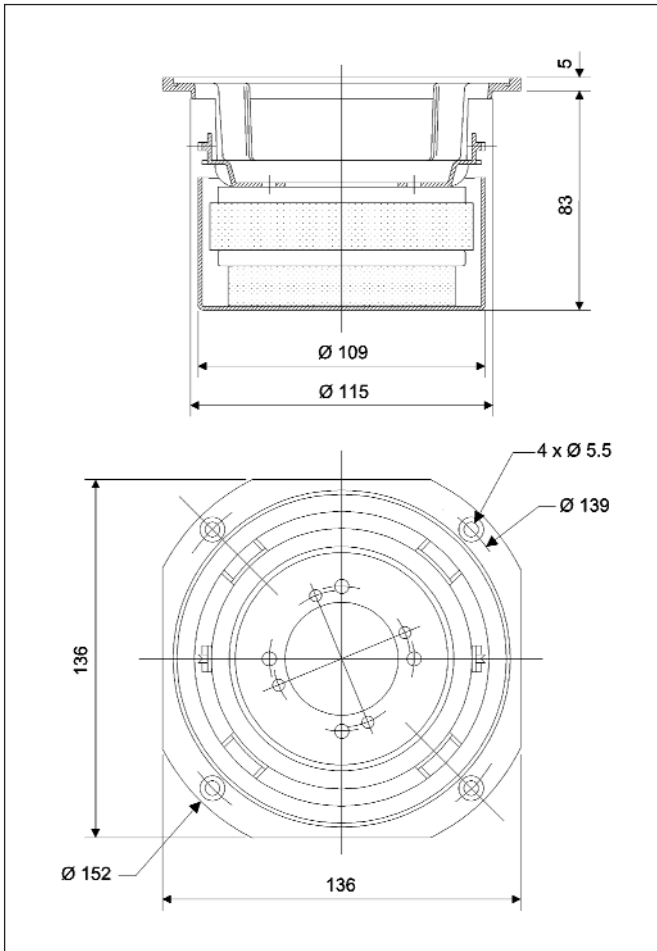


- Thick zamak alloy metal cast frame
- Straight profile Polyglass cone, rubber surround
- Edgewound flat copper wire 40 mm voice coil, Kapton™ former
- Efficiency : 86.8 dB, 10 ohms impedance
- Very practical for dual driver applications (2 or 3-way) high power

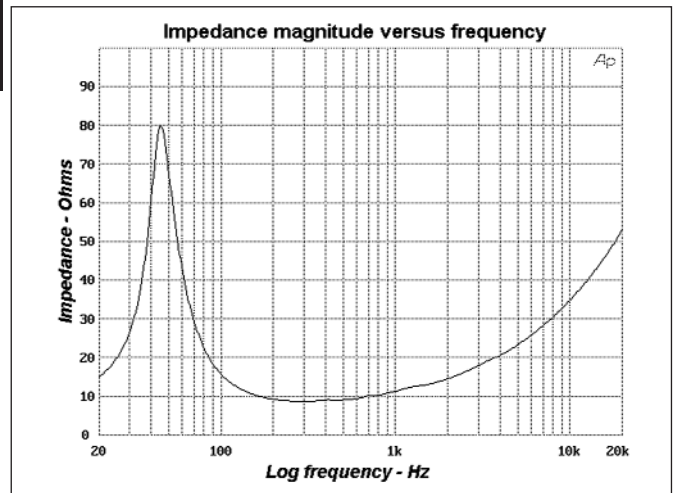
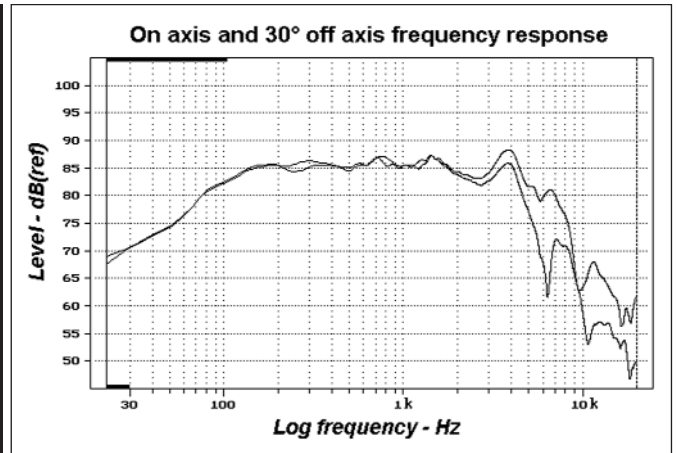
5 V 4411B - shielded 5" Polyglass midbass



DRAWING



MEASUREMENTS



SPECIFICATIONS

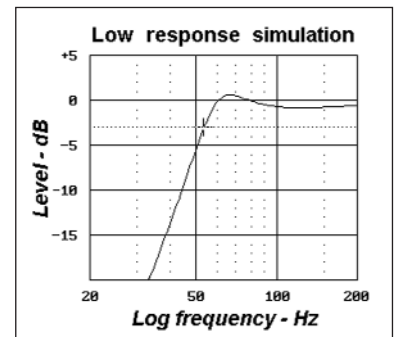
Nominal power handling	90	W
Program power handling	125	W
Sensitivity	86.5	dB (2.8V/1m)
Cone	Polyglass	
Surround	Rubber	
Nominal impedance	10	Ω
DC resistance	7.8	Ω
VC diameter	40	mm
VC height	16.5	mm
Former	Kapton™	
Layers	1	
Wire	Copper	
Inductance	0.76	mH
Xmax	5.25	mm
Magnet diameter x height	100 x 18	mm x mm
Magnet weight	564	g
Flux density	1.12	T
Gap height	6	mm
Net weight	2.2	kg

PARAMETERS

Fs	47.8	Hz
Vas	8.4	l
Qts	0.30	
Qes	0.32	
Qms	3.88	
Re	7.5	Ω
Sd	86.6	cm ²
Cas	598E-10	m ² /N
Mas	185.4	kg/m ⁴
Ras	14 350.1	Ω .ac
Cms	798E-6	m/N
Mms	13.9	g
Rms	1 077	g/s
Ces	142.1	μ F
Les	78.0	mH
Res	90.9	Ω
Bl	9.9	N/A
SPL	86.4	dB/W/m

SIMULATION

Ql:	7	Ω
Rg:	0.3	
Qts (+Rg):	0.33	



Vb:	8	l
Fb:	58.4	Hz
F-3:	53.3	Hz