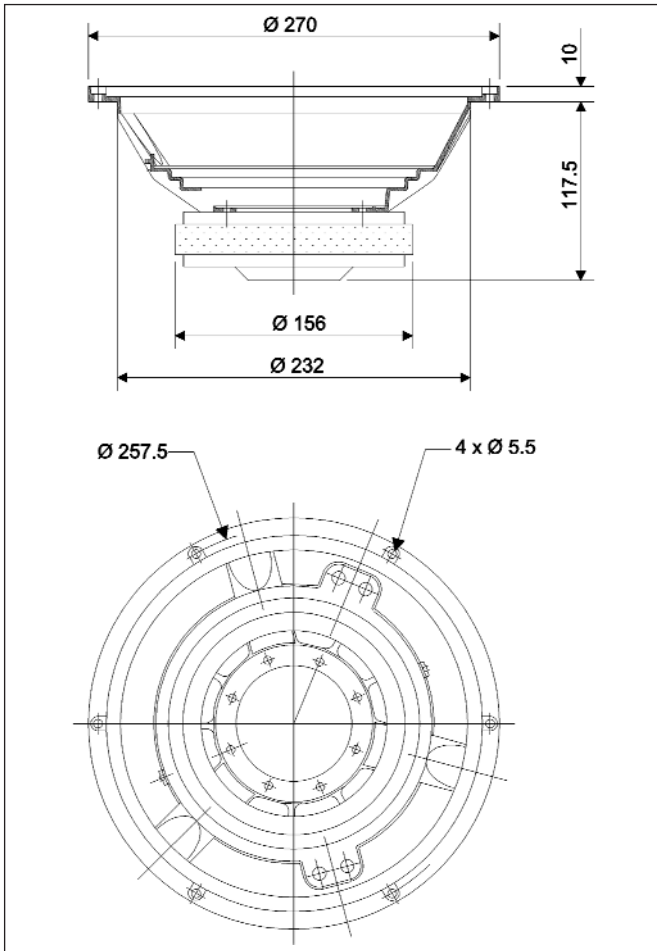


AUDIOPHILE SERIES

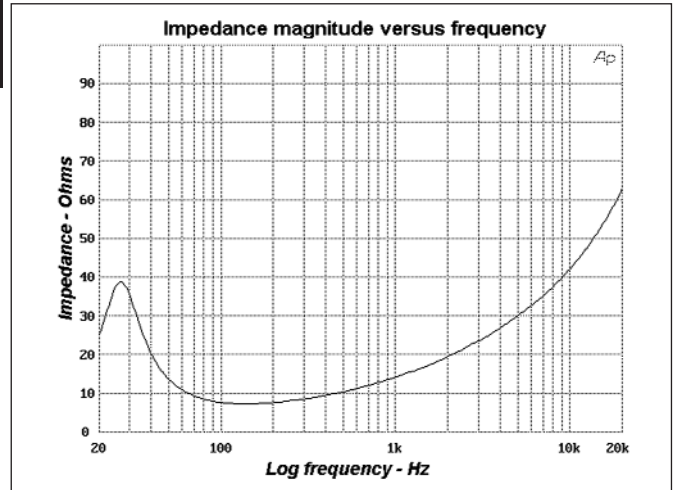
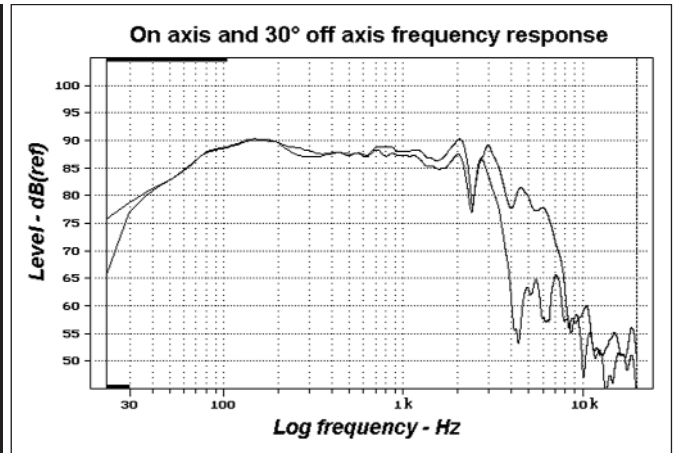
- Thick zamak alloy metal cast frame
- Straight profile PolyKevlar® cone, large rubber surround
- Long throw 50 mm voice coil, black aluminium former
- Efficiency : 89.2 dB
- Superb bass definition for high resolution 75 l vented systems



DRAWING



MEASUREMENTS



SPECIFICATIONS

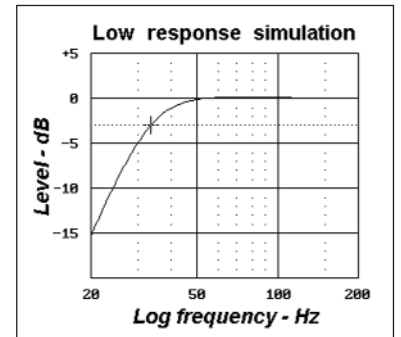
Nominal power handling	175	W
Program power handling	225	W
Sensitivity	89.2	dB (2.8V/1m)
Cone	Polykevlar®	
Surround	Rubber	
Nominal impedance	8	Ω
DC resistance	6	Ω
VC diameter	50	mm
VC height	26	mm
Former	Black Aluminium	
Layers	1	
Wire	Copper	
Inductance	1.16	mH
Xmax	9	mm
Magnet diameter x height	156 x 20	mm x mm
Magnet weight	1412	g
Flux density	0.91	T
Gap height	8	mm
Net weight	5	kg

PARAMETERS

Fs	27.0	Hz
Vas	128.5	l
Qts	0.33	
Qes	0.38	
Qms	2.48	
Re	5.9	Ω
Sd	356.3	cm ²
Cas	915E-9	m ² /N
Mas	38.0	kg/m ⁴
Ras	2 599.7	Ω .ac
Cms	721E-6	m/N
Mms	48.3	g
Rms	3 301	g/s
Ces	379.3	μ F
Les	91.7	mH
Res	38.6	Ω
Bl	11.3	N/A
SPL	90.1	dB/W/m

SIMULATION

Ql:	7	Ω
Rg:	0.8	
Qts (+Rg):	0.37	



Vb:	75	l
Fb:	30.3	Hz
F-3:	33.6	Hz