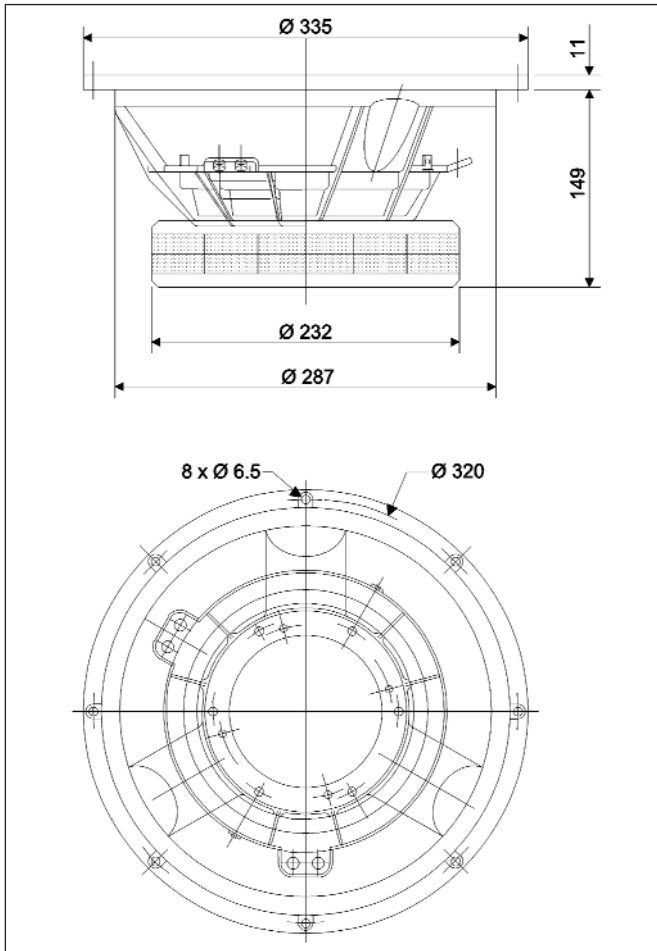


AUDIOM SERIES

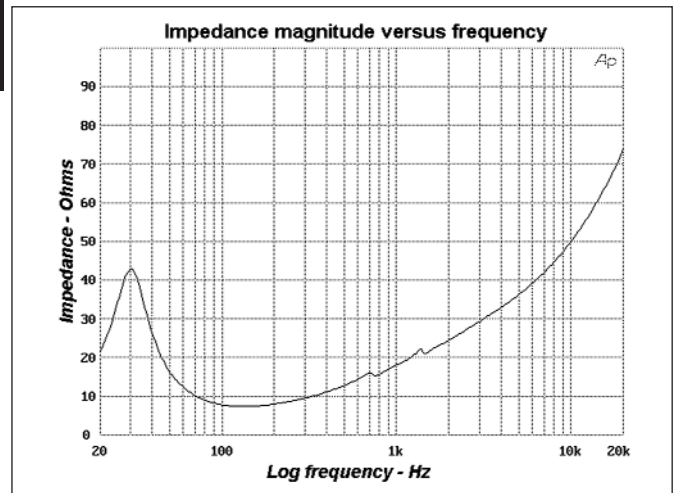
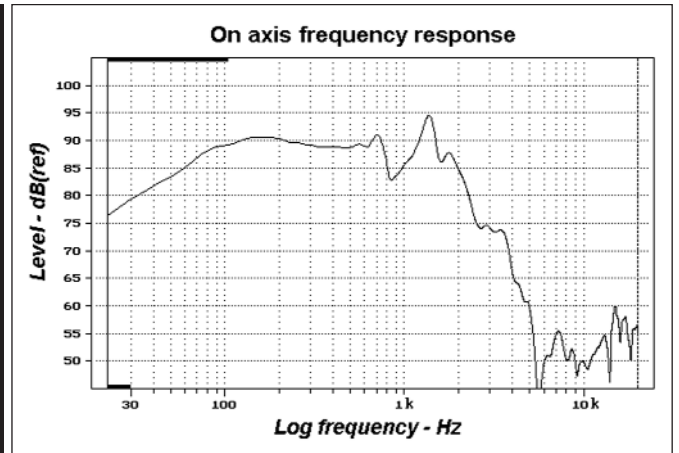
- Thick zamak alloy metal cast frame
- Straight profile Polyglass cone, large foam surround
- Edgewound flat copper wire 77 mm voice coil, black aluminium former
- Efficiency : 91 dB
- Shocking transients, extended bass response in 75 l vented systems (35 Hz -3 dB)



DRAWING



MEASUREMENTS



SPECIFICATIONS

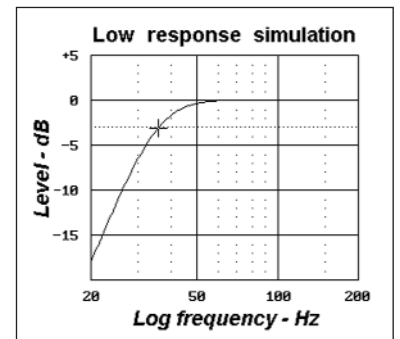
Nominal power handling	225	W
Program power handling	275	W
Sensitivity	91	dB (2.8V/1m)
Cone	Polyglass	
Surround	Foam	
Nominal impedance	8	Ω
DC resistance	6.2	Ω
VC diameter	77	mm
VC height	22	mm
Former	Black Aluminium	
Layers	1	
Wire	Copper	
Inductance	1.56	mH
Xmax	6	mm
Magnet diameter x height	235 multi magnets	mm x mm
Magnet weight	233 x 12	g
Flux density	1.02	T
Gap height	10	mm
Net weight	12.5	kg

PARAMETERS

Fs	30.0	Hz
Vas	117.5	l
Qts	0.32	
Qes	0.37	
Qms	2.52	
Re	6.1	Ω
Sd	530.9	cm ²
Cas	837E-9	m ² /N
Mas	33.6	kg/m ⁴
Ras	2 513.3	Ω .ac
Cms	297E-6	m/N
Mms	94.6	g
Rms	7 085	g/s
Ces	323.5	μ F
Les	86.8	mH
Res	41.3	Ω
Bl	17.1	N/A
SPL	91.2	dB/W/m

SIMULATION

Ql:	7	Ω
Rg:	1.0	
Qts (+Rg):	0.37	



Vb:	75	l
Fb:	33.2	Hz
F-3:	35.7	Hz